

Mounting frames for wall-mounted WC | Load-bearing and light weight walls



SmartiKa 9.0 technical data sheet
Standard code 377109

Sommario

DESCRIPTION	3
FEATURES	3
STRUCTURE FEATURES	4
CISTERN FEATURES	4
STANDARD SUPPLY	5
ON DEMAND	5
DIMENSIONS	6
PACKAGING	6
ACCESSORIES AND SPARE PARTS	7
LIST	8

Smartika 9.0

Mounting frame for wall-hung WC suitable for load-bearing, pre-existing load-bearing, lightweight and plasterboard walls according to the specific kit supplied.

DESCRIPTION

Mounting frame for wall-mounted WC equipped with Monolith 9.0 cistern (9/6lt). According to the specific kit supplied, is suitable for load-bearing installations, pre-existing load-bearing installations, lightweight walls and plasterboard.

FEATURES

Features and plus



For wall-hung wc



For lightweight walls and plasterboard (according to the specific kit supplied)



For load-bearing and pre-existing load-bearing walls (according to the specific kit supplied)



9lt in-wall cistern (adjustable to 6lt)



Dual flush with adjustable partial flush (from 2.5 to 3.5lt)



Maintenance operations in 5 minutes



Assembly operations in 5 minutes



FLEXVALVE



Monoblock container



Lago system



NORMA-PLUS float valve, acoustic cl.1, LGA-TUV (standard for code 377109)



100% Made in Italy

STRUCTURE FEATURES

- Painted steel frame
- Structure certified to bear 400kg according to standards UNI EN 977/1-997-89500/2 if installed / walled correctly

CISTERN FEATURES

- 9lt high density PE monoblock container without joints
- Repairable in case of accidental drilling
- Plaster holder fixing mesh (according to code)
- Extruded closed-cell PE insulation, anti-condensate and soundproofing with thermal resistance
- FlexValve: discharge valve with silicon gasket. Made of polypropylene with silicone additive (PTE)
- NORMA-PLUS float valve, acoustic class 1, LGA-TUV approved adjustable between 9 and 6lt (standard for code 377109)
- Maintenance operations without using tools
- Pneumatisable without the need to replace internal components

STANDARD SUPPLY

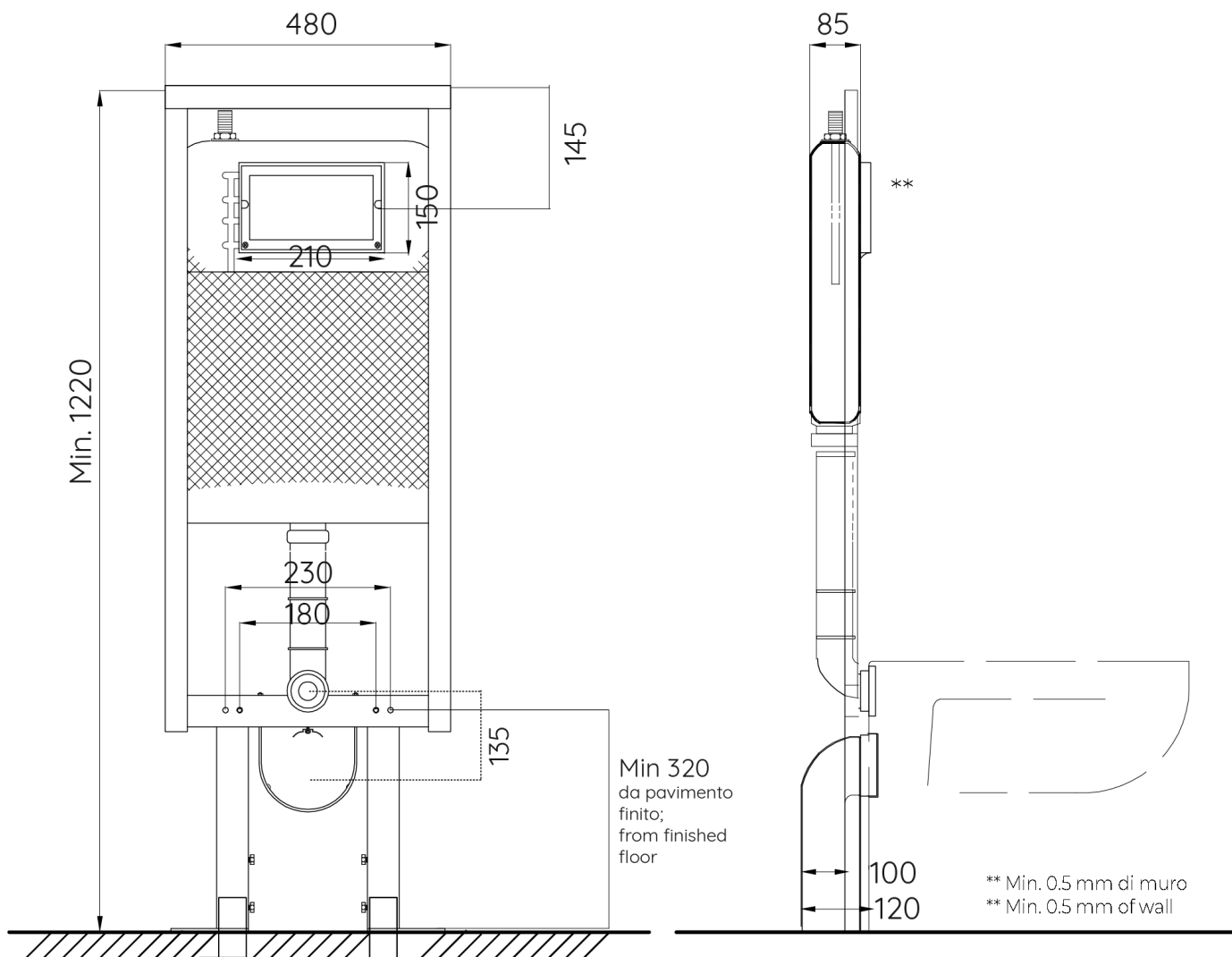
- Painted steel frame
- Monolith 9.0 cistern fixed on frame
- Fixing brackets for load-bearing walls
- WC fixing centre distances for M12 threaded bars adjustable to 180 mm and 230 mm
- M12 threaded rods for WC fixing with nuts, protective sleeves and caps
- White pipe for connection to wall-mounted WC and clamp gasket
- \varnothing 90mm black sleeve with gasket
- Black outlet bend 90° \varnothing 90 mm
- Dismountable stop valve 3/8"-3/8" including fitting 1/2"-3/8"
- Protection template to shape perimeter of tiles or plaster
- Protection caps for discharge pipe and outlet bend

IT NEEDS TO BE INTEGRATED WITH DUAL COUNTERPLATE COD. 317010

ON DEMAND

- Dual counter-plate
- Dual flush plate Fidia/Itaka/Aurea
- 90/100mm adaptor
- 90/110mm adaptor
- Fixing kit for plasterboard, lightweight walls and pre-existing load-bearing walls
- Pneu system
- Kit to diagonalize the outlet bend

DIMENSIONS

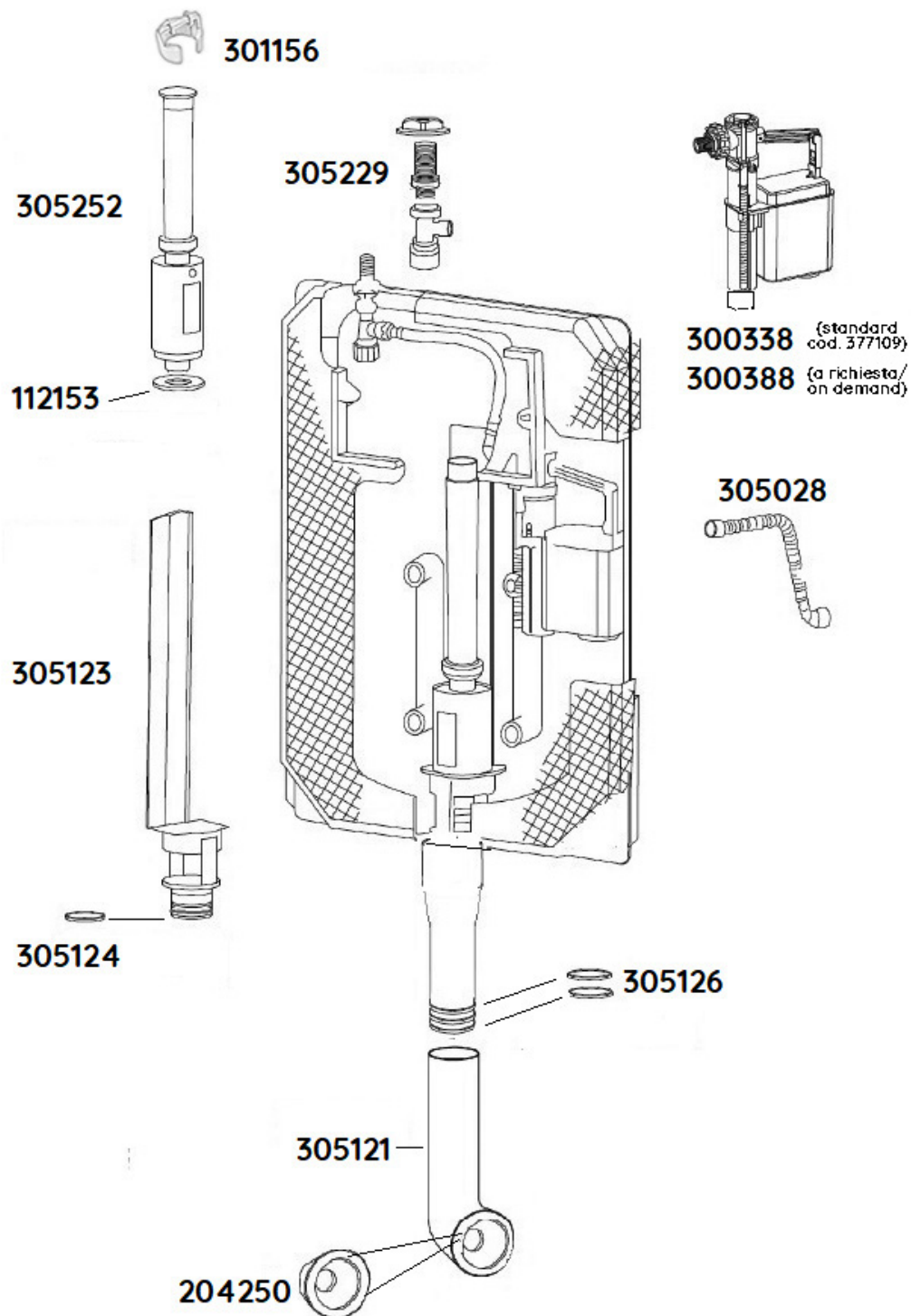


S

PACKAGING

CODE	PCS	LxDxH	KG
377109	1	495x150x1235 mm	11

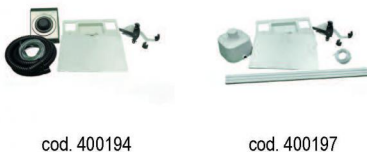
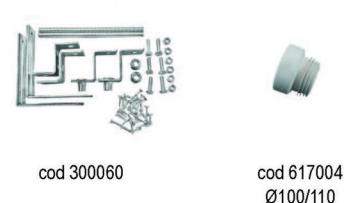
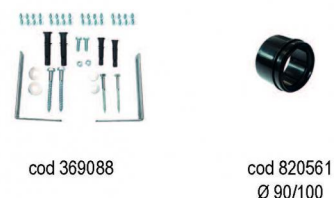
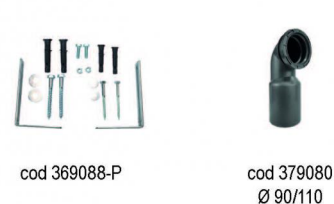
ACCESSORIES AND SPARE PARTS



ACCESSORI INCLUSI
INCLUDED

NON INCLUSI
NOT INCLUDED

ACCESSORI A RICHIESTA
ON DEMAND



LIST

Smartika 9.0	
CODE	DESCRIPTION
305229	Dismountable brass stop valve 3/8"-3/8" including fitting 1/2"-3/8"
305028	Flexible hose with gasket L. 280 mm 3/8" - 3/8"
300388	Norma float valve 3/8" for concealed cisterns (on demand according to the code)
300338*	NORMA-PLUS float valve 3/8" for concealed cisterns, acoustic cl.1, (standard for code 377109)
305123	9.0 removable drain with O-Ring gasket
305124	O-ring gasket for 9.0 drain
305252	Monolith 9.0 discharge valve
112153	Silicon gasket for discharge valve ø 60/21 mm
305121	Insulated discharge pipe, complete with conic gasket
204250	Universal conic gasket ø 60x32/40 mm
305126	O-ring gasket for discharge pipe coupling

Smartika 9.0	
369080	Black outlet bend 90° ø 90 mm (standard for cod. 377109)
379080	Black outlet bend 90° ø 90/110 mm
379081	Black sleeve with gasket ø 90mm (standard for cod. 377109)
617004	Concentric sleeve ø 100/110 mm
820560	Adaptor ø 90/110 mm
820561	Adaptor ø 90/100 mm
123003	M12 threaded bars for WC fixing, complete with nuts and protective covers
204015	White pipe ø40 mm + clamp gasket Ø40 mm for connection to wall-mounted WC (standard for cod. 377109)
204016	White pipe ø32 mm + clamp gasket Ø32 mm for connection to wall-mounted WC
368403	Fixing brackets (standard for cod. 377109)
300060	Universal Smartika fixing kit for every installation (on demand)
369088	Smartika fixing kit for back-to-wall, light masonry wall, plasterboard (on demand)
369088-P	Smartika fixing kit for back-to-wall and light masonry wall (on demand)
369085	Pair of fixing caps for wall-hung WC
300061	Kit to diagonalize the outlet bend
400190	Pneu transforming kit with aluminium inspection plate and remote white hand-button
400194	Pneu transforming kit with aluminium inspection plate and remote inox leg-button
400195	Pneu transforming kit with aluminium inspection plate and remote white plastic leg-button for floor/wall
400197	Pneu transforming kit with aluminium inspection plate and remote white hand-button