

Mounting frames for wall-mounted WC | Light
weight walls



TEKNO PRATIKA 9.0 technical data sheet
Standard code 377309

Sommario

DESCRIPTION	3
FEATURES	3
STRUCTURE FEATURES	4
CISTERN FEATURES	4
DIMENSIONS	5
STANDARD SUPPLY	6
ON DEMAND	6
PACKAGING	6
ACCESSORIES AND SPARE PARTS	7
LIST	8

Tekno PratiKa 9.0

Mounting frame for wall-mounted WC for lightweight walls, plasterboard and load-bearing installations.

DESCRIPTION

Mounting frame for wall-mounted WC equipped with Monolith 9.0 cistern (9/6lt). Suitable for load-bearing installations, pre-existing load-bearing installations, lightweight walls and plasterboard.

FEATURES

Features and plus



For wall-hung wc



For lightweight walls and plasterboard



For load-bearing and pre-existing load-bearing walls



9lt in-wall cistern (adjustable to 6lt)



Dual flush with adjustable partial flush (from 2.5 to 3.5lt)



Maintenance operations in 10 minutes



Assembly operations in 5 minutes



FLEXVALVE



Monoblock container



Lago system



NORMA-PLUS float valve (standard for cod. 377309)



100% Made in Italy

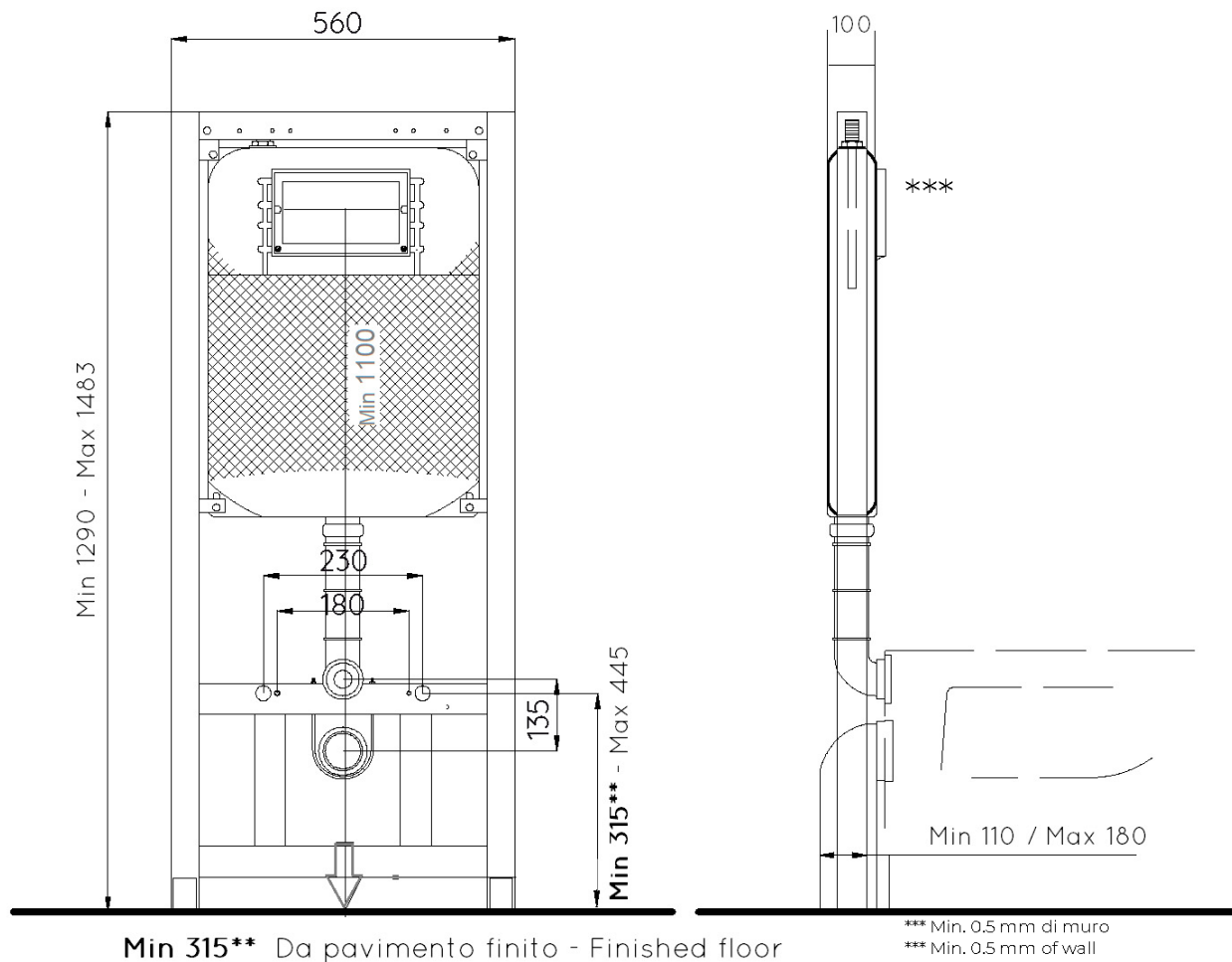
STRUCTURE FEATURES

- Self-supporting painted tubular steel frame
- Total thickness for 100 mm rough walls
- Structure certified to bear 400kg according to standards UNI EN 977/1-997-89500/2 if installed correctly

CISTERN FEATURES

- 9lt high density PE monoblock container without joints
- Repairable in case of accidental drilling
- Plaster holder fixing mesh (according to code)
- Extruded closed-cell PE insulation, anti-condensate and soundproofing with thermal resistance
- FlexValve: discharge valve with silicon gasket. Made of polypropylene with silicone additive (PTE)
- NORMA-PLUS float valve, acoustic class 1, LGA-TUV approved adjustable between 9 and 6lt (standard for code 377309)
- Maintenance operations without using tools
- Pneumatisable without the need to replace internal components

DIMENSIONS



S

STANDARD SUPPLY

- Self-supporting painted tubular steel frame
- Monolith 9.0 cistern fixed on frame
- WC fixing centre distances for M12 threaded bars adjustable to 180 mm and 230 mm
- M12 threaded rods for WC fixing with nuts, protective sleeves and caps
- White pipe for connection to wall-mounted WC and clamp gasket
- Ø 90mm black sleeve with gasket
- Black outlet bend 90° Ø 90 mm
- Universal fixing and assembly kit
- Dismountable stop valve 3/8"-3/8" including fitting 1/2"-3/8"
- Protection template to shape perimeter of tiles or plaster
- Protection caps for discharge pipe and outlet bend

IT NEEDS TO BE INTEGRATED WITH DUAL COUNTERPLATE COD. 317010

ON DEMAND

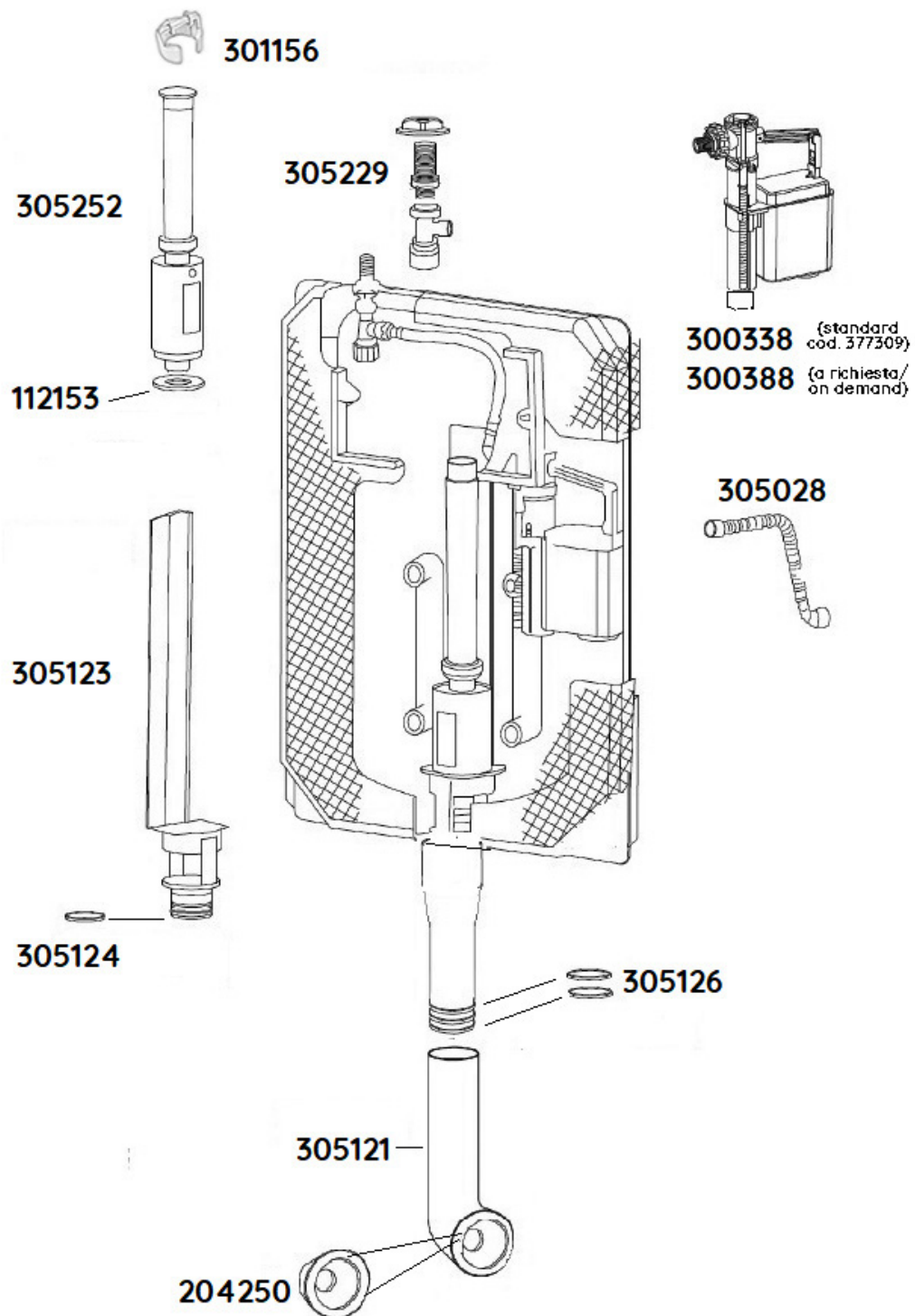
- Dual counter-plate
- Dual flush plate Fidia/Itaka/Aurea
- 90/110mm adaptor
- 90/100mm adaptor
- Pneu system

S

PACKAGING

CODE	PCS	LxDxH	KG
377309	1	590x150x1320 mm	16,3

ACCESSORIES AND SPARE PARTS



ACCESSORI INCLUSI
INCLUDED

NON INCLUSI
NOT INCLUDED

ACCESSORI A RICHIESTA
ON DEMAND



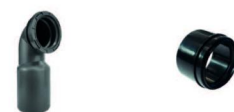
cod 300388

cod 300338*

cod 301156
cod 305252



cod 317010
controplacca duo - counter plate



cod 379080
Ø 90/110

cod 820561
Ø 90/100



cod 204015 Ø40
cod 204016 Ø32

cod 369080
Ø 90

cod 305123

Aurea
Fidia
Itaka



Placca comando
Control plate



cod 617004
Ø100/110

cod 820560
Ø 90/110



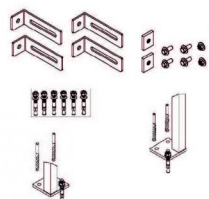
cod 379081 Ø90

cod 305229



cod. 400190

cod. 400195



Kit barre WC M12
completo
M12 WC Bar Kit
complete



cod. 400194



cod. 400197

LIST

Tekno PratiKa 9.0	
CODE	DESCRIPTION
305229	Dismountable brass stop valve 3/8"-3/8" including fitting 1/2"-3/8"
305028	Flexible hose with gasket L. 280 mm 3/8" - 3/8"
300388	Norma float valve 3/8" for concealed cisterns (on demand according to the code)
300338*	NORMA-PLUS float valve 3/8" for concealed cisterns, acoustic cl.1, (standard for code 377309)
305123	9.0 removable drain with O-ring gasket
305124	O-ring gasket for 9.0 drain
305252	Monolith 9.0 discharge valve
301156	Red anchor

Tekno PratiKa 9.0	
112153	Silicon gasket for discharge valve \varnothing 60/21 mm
305121	Insulated discharge pipe, complete with conic gasket
204250	Universal conic gasket \varnothing 60x32/40 mm
305126	O-ring gasket for discharge pipe coupling
369080	Black outlet bend 90° \varnothing 90 mm (standard for cod. 377309)
379080	Black outlet bend 90° \varnothing 90/110 mm
379081	Black sleeve with gasket \varnothing 90mm (standard for cod. 377309)
617004	Concentric sleeve \varnothing 100/110 mm
820560	Adaptor \varnothing 90/110 mm
820561	Adaptor \varnothing 90/100 mm
123003	M12 threaded bars for WC fixing, complete with nuts and protective covers
204015	White pipe \varnothing 40 mm + clamp gasket \varnothing 40 mm for connection to wall-mounted WC (standard for cod. 377309)
204016	White pipe \varnothing 32 mm + clamp gasket \varnothing 32 mm for connection to wall-mounted WC
369085	Pair of fixing caps for wall-hung WC
400190	Pneu transforming kit with aluminium inspection plate and remote white hand-button
400194	Pneu transforming kit with aluminium inspection plate and remote inox leg-button
400195	Pneu transforming kit with aluminium inspection plate and remote white plastic leg-button for floor/wall
400197	Pneu transforming kit with aluminium inspection plate and remote white hand-button