

Concealed cisterns for floor-standing WC



MONOLITH 9.0 technical data sheet
Standard code 375409

Sommario

DESCRIPTION	3
FEATURES	3
TECHNICAL NOTES	3
DIMENSIONS	3
STANDARD SUPPLY	5
ON DEMAND	5
PACKAGING	5
ACCESSORIES AND SPARE PARTS	6
LIST	7

Monolith 9.0

Concealed cistern for floor-standing WCs, max. capacity 9lt

DESCRIPTION

Concealed cistern for floor-standing or squat WC (with dedicated extension).

FEATURES

Features and plus



For floor-standing Wc (or squat wc with dedicated extension)



9lt in-wall cistern (adjustable to 6lt)



Dual flush with adjustable partial flush (from 2.5 to 3.5lt)



Maintenance operations in 3 minutes



Assembly operations in 8 minutes



FLEXVALVE



Monoblock container



Lago system



NORMA-PLUS float valve, acoustic cl.1, LGA-TUV (standard for code 375409)



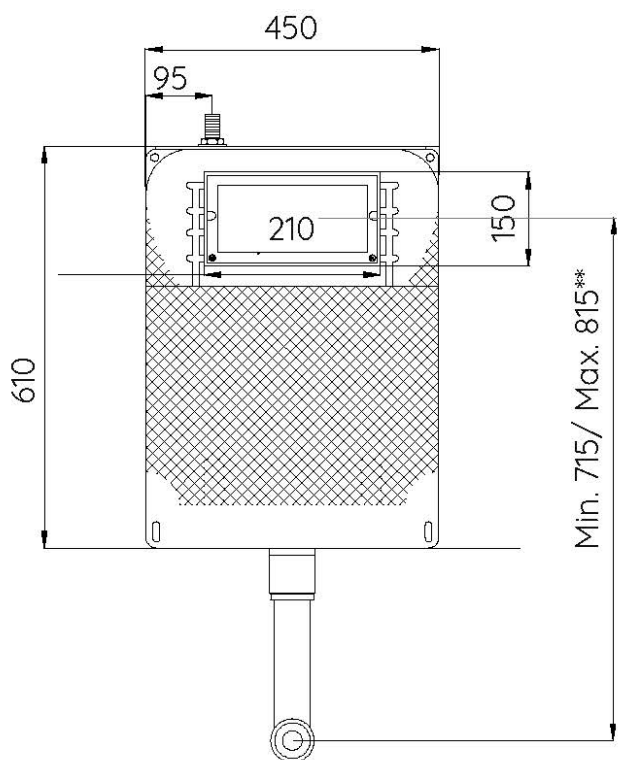
100% Made in Italy

TECHNICAL NOTES

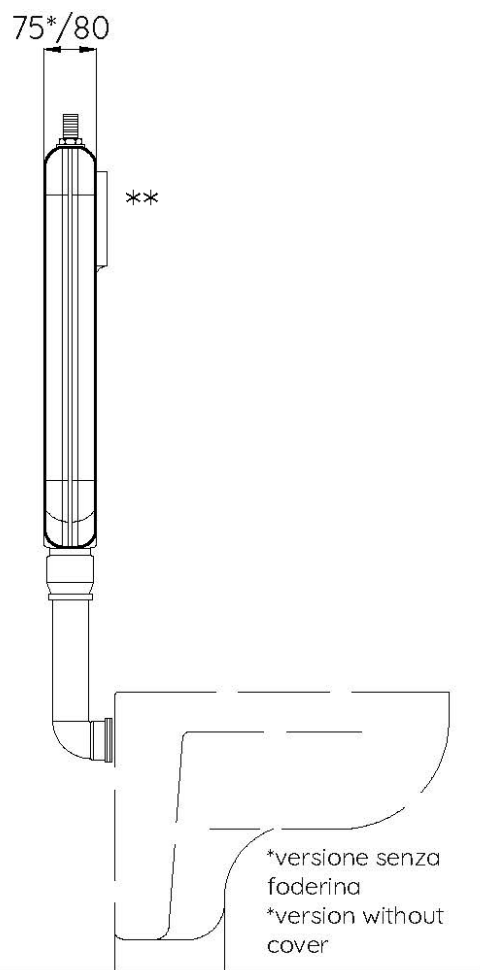
- 9lt high density PE monoblock container with a nominal thickness of 80mm and without joints
- Repairable in case of accidental drilling
- Plaster holder fixing mesh (according to code)
- Extruded closed-cell PE insulation, anti-condensate and soundproofing with thermal resistance
- FlexValve: discharge valve with silicon gasket. Made of polypropylene with silicone additive (PTE)
- NORMA-PLUS float valve, acoustic class 1, LGA-TUV approved, adjustable between 9 and 6lt (standard for code 375409)
- Maintenance operations without using tools
- Pneumatisable without the need to replace internal components

S

DIMENSIONS



** con prolunga cod 305118 max 1020
 ** with extension code 305118 Max 1020



** Min. 0.5 mm di muro
 ** Min. 0.5 mm of wall

STANDARD SUPPLY

- Dismountable stop valve 3/8"-3/8" including fitting 1/2"-3/8"
- Adjustable discharge pipe up to 100 mm with polystyrene cover and conical gasket
- Protection template to shape perimeter of tiles or plaster
- Construction site protection cap for discharge pipe

IT NEEDS TO BE INTEGRATED WITH DUAL COUNTERPLATE COD. 317010

S

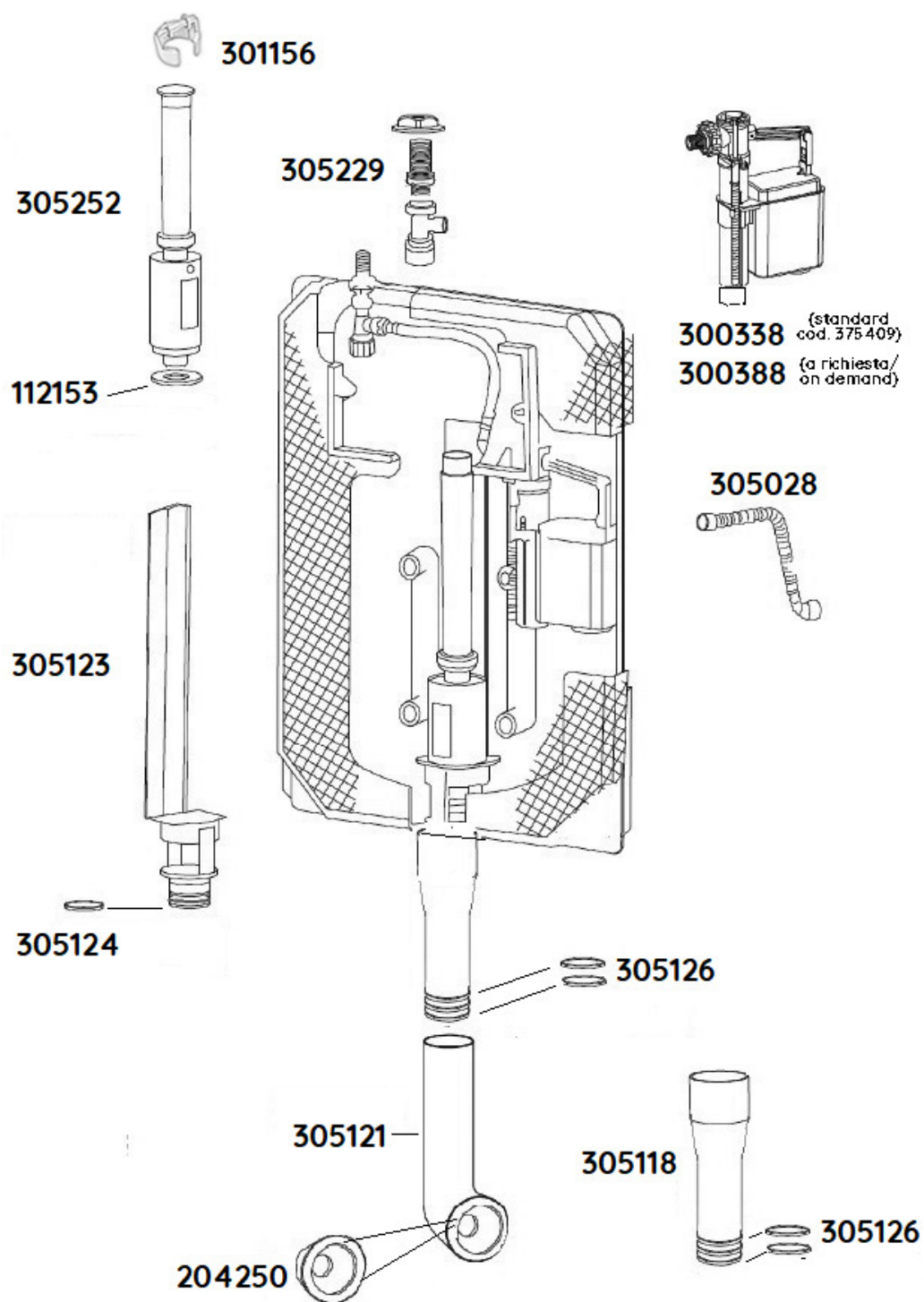
ON DEMAND

- Dual counter-plate
- Dual flush plate Fidia/Itaka/Aurea
- Wall mounting kit
- Pipe with rosette
- Squat WC extension
- Pneu system

PACKAGING

CODE	PCS	LxDxH	KG
375409	1	550x111x820 mm	3,9

ACCESSORIES AND SPARE PARTS



ACCESSORI INCLUSI
INCLUDED



cod 300388



cod 300338*



cod 305229



cod 305121



cod 301156
cod 305252



cod 305123

NON INCLUSI
NOT INCLUDED



cod 317010
controplacca duo - counter plate

Aurea
Fidia
Itaka



Placca comando
Control plate

ACCESSORI A RICHIESTA
ON DEMAND



cod 204006
Ø 40



cod 204001
Ø 32



cod 368403



cod 305118



cod. 400190

cod. 400195



cod. 400194

cod. 400197

LIST

Monolith 9.0	
CODE	DESCRIPTION
305229	Dismountable brass stop valve 3/8"-3/8" including fitting 1/2"-3/8"
305028	Flexible hose with gasket L. 280 mm 3/8" - 3/8"
300388	Norma float valve 3/8" for concealed cisterns (on demand according to the code)
300338*	NORMA-PLUS float valve 3/8" for concealed cisterns, acoustic cl.1, (standard for code 375409)
305123	9.0 removable drain with O-ring gasket
305118	Straight extension pipe Ø 50xh210 mm with o-ring for discharge pipe (on request for squat toilets)
305124	O-ring gasket for 9.0 drain

Monolith 9.0	
301156	Red anchor
112153	Silicon gasket for discharge valve ø 60/21 mm
305121	Insulated discharge pipe, complete with conic gasket
204250	Universal conic gasket ø 60x32/40 mm
305126	O-ring gasket for discharge pipe coupling
204001	WC connection pipe with rosette and clamp gasket ø 32 mm
204006	WC connection pipe with rosette and clamp gasket ø 40 mm
368403	Fixing brackets (on demand)
305252	Monolith 9.0 discharge valve
400190	Pneu transforming kit with aluminium inspection plate and remote white hand-button
400194	Pneu transforming kit with aluminium inspection plate and remote inox leg-button
400195	Pneu transforming kit with aluminium inspection plate and remote white plastic leg-button for floor/wall
400197	Pneu transforming kit with aluminium inspection plate and remote white hand-button