

Low-medium position cisterns



---

**SUPER KARIBA DUO technical data sheet**

---

## Sommario

DESCRIPTION	3
FEATURES	3
TECHNICAL NOTES	3
STANDARD SUPPLY	4
ON DEMAND	4
PACKAGING	4
PACKAGING	5
MODELS:	5
DIMENSIONS	6
SPARE PARTS	7
LIST	7
ACCESSORIES ON DEMAND	8

## SUPER KARIBA DUO

Exposed cistern for low or medium position installations.

### DESCRIPTION

SUPER KARIBA DUO exposed flush cistern is suitable for low- or medium-position installations. SUPER KARIBA DUO is made with an anti-ageing ABS body and is equipped with a dual-flow control 3/6 - 3/9 litres.

KARIBA exposed cisterns are equipped with a fast and silent float valve with various water connection possibilities.

Each cistern is produced with top quality materials and with components 100% tested in production with water supply.

EN 14055 CL1 - 9 - NL II - VR II regulation

### FEATURES

#### Features and plus



Low-medium position



Dual flush control 3/6 - 3/9lt



9lt in-wall cistern (adjustable to 6lt)



100% Made in Italy

### TECHNICAL NOTES

- Capacity 9 lt with possibility of adjustment to 6 lt
- Dual-flow side control 3/6 - 3/9 litres
- ABS body with anti-ageing treatment
- Anti-condensation and soundproofing insulation
- Left or right and rear water connection in the centre
- Possibility of water connection from below (depending on model)
- Norma float-valve
- Innovative system of additional partial discharge adjustment

S

## STANDARD SUPPLY

- Stop valve (according to code)
- Wall mounting accessory kit
- Discharge pipe (according to code)
- Connection gaskets

## ON DEMAND




- Pneumatic lifting device cod. 400021
- Pneumatic controls

## PACKAGING

CODE	PCS	LxWxH	WEIGHT
SUPER KARIBA DUO	1	450x135x420mm	2.9 kg

## PACKAGING



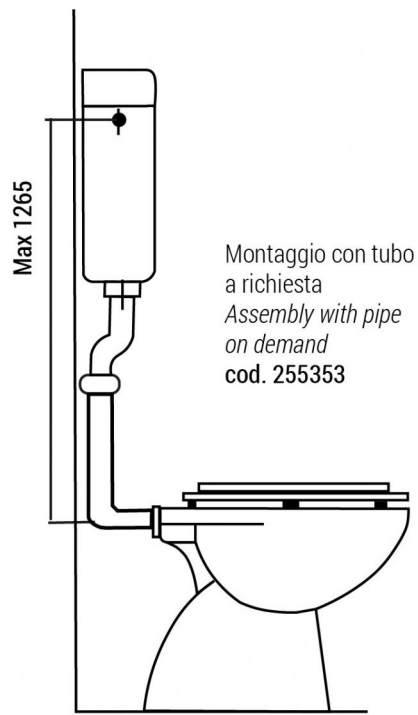
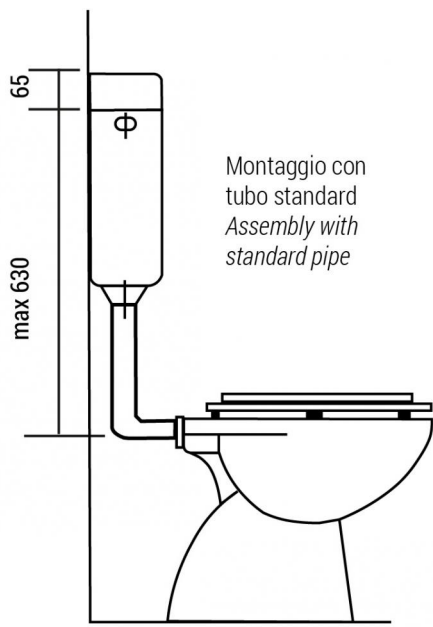
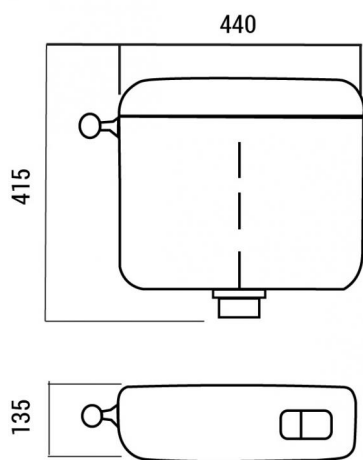
packaging		pcs	L-P-H
	single	1	450x136x417
	multiple	5	710x460x440
	pallet	100	122x122X2320

## MODELS:

CODE	DESCRIPTION
334100	SUPER KARIBA DUO white, pipe Ø40 mm
334101	SUPER KARIBA DUO white, pipe Ø40 mm WITHOUT STOP-VALVE
334104	SUPER KARIBA DUO WHITE WITHOUT PIPE
334143	LOW RIGHT PIPE CONNECTION Ø40 MM FOR SUPER CISTERN
334154	LOW LEFT PIPE CONNECTION Ø40 MM FOR SUPER CISTERN

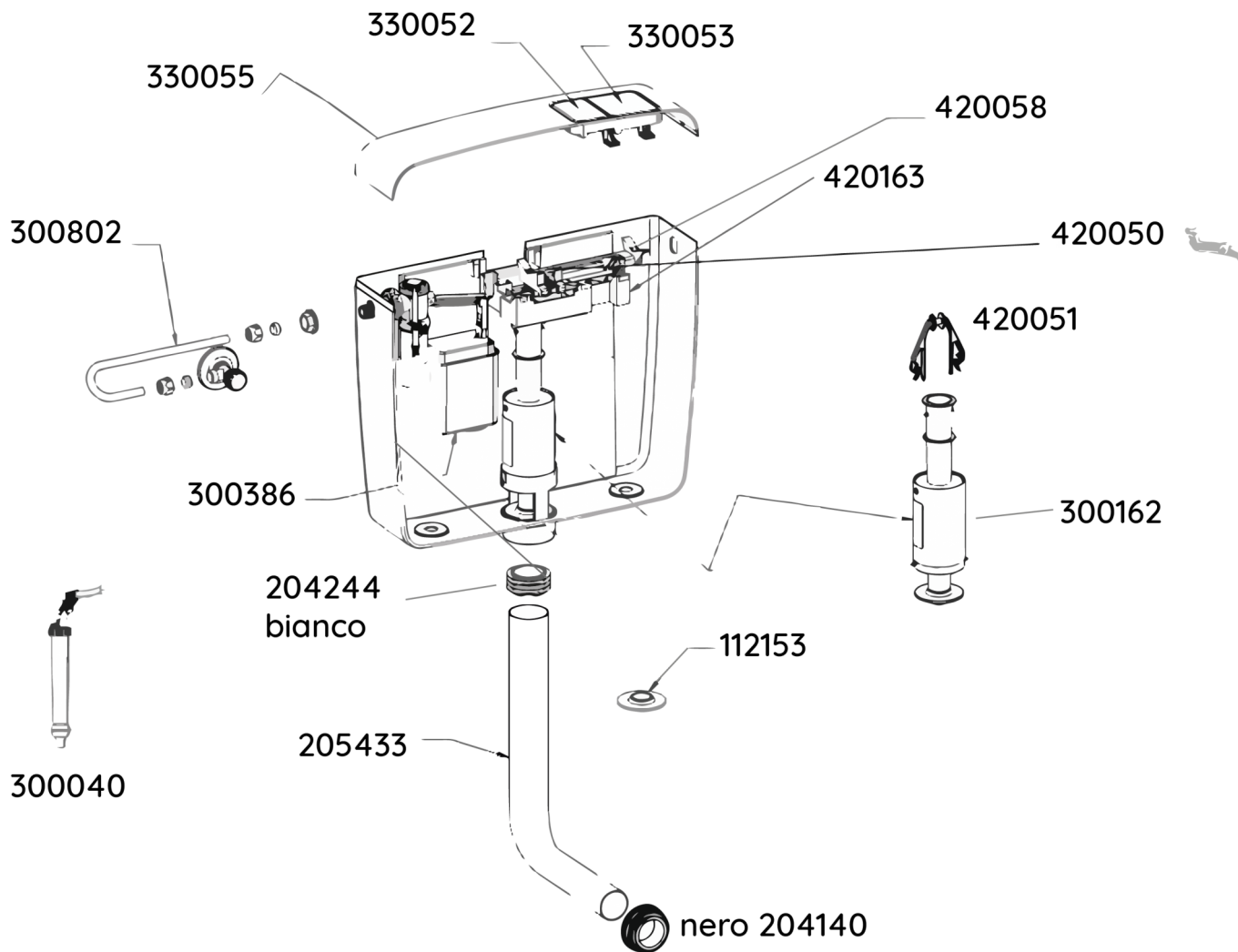
S

## DIMENSIONS



S

## SPARE PARTS



S

## LIST

CODE	DESCRIPTION
420163	Lever group with anchor
420051	Anchor
300802	Stop valves
330055	Lid with flush buttons
330053	Total flush button
330052	Partial flush button
300386	"Norma" float-valve 3/8"
300040	Silent float-valve 3/8" low connection (included in prepared models)
300162	Discharge valve

CODE	DESCRIPTION
112153	Silicon gasket
300842	Cistern fixing accessories kit and connection gaskets Ø40
205433	Pipe 50x40x320mm
204244	White clamp gasket for pipe coupling
204140	Black clamp gasket ø 40 mm for WC coupling
420058	Exhaust lever kit
420050	Slingbar lever

## ACCESSORIES ON DEMAND

CODE	DESCRIPTION
400021	Pneumatic lifting device
215313	Pipe 50x32x1000
215363	Pipe 50x32x600
255353	Dismountable pipe 50x32x935
400101	Flush-mounted white pneu button
400103	Wall-mounted white pneu button
300843	Cistern fixing accessories kit and connection gaskets Ø32
205333	Pipe Ø32
204132	Black clamp gasket ø 32 mm for WC coupling
300336	NORMA-PLUS float valve, acoustic cl.1, LGA-TUV approved