

Low-medium position cisterns



SUPER KARIBA technical data sheet

Sommario

DESCRIPTION	3
FEATURES	3
TECHNICAL NOTES	3
STANDARD SUPPLY	4
ON DEMAND	4
PACKAGING	4
PACKAGING	5
MODELS:	5
DIMENSIONS	6
SPARE PARTS	7
LIST	7
ACCESSORIES ON DEMAND	8

SUPER KARIBA MONO

Exposed cistern for low or medium position installations.

DESCRIPTION

SUPER KARIBA MONO exposed flush cistern is suitable for low- or medium-position installations.

SUPER KARIBA MONO is made with an anti-ageing ABS body

KARIBA exposed cisterns are equipped with a fast and silent float valve with various water connection possibilities.

Each cistern is produced with top quality materials and with components 100% tested in production with water supply.

EN 14055 CL1 - 9 - NL II - VR II regulation

FEATURES

Features and plus



Low-medium position



Single button with rinse interruption option



9lt in-wall cistern (adjustable to 6lt)



100% Made in Italy



Pneu version available. Suitable for people with motor disabilities

TECHNICAL NOTES

- Capacity 9 lt with possibility of adjustment to 6 lt
- Single side button with rinse interruption option
- ABS body with anti-ageing treatment
- Anti-condensation and soundproofing insulation
- Water connection possible in three positions: right or left and rear centre
- Possibility of water connection from below (dedicated model)
- Norma float-valve

S

STANDARD SUPPLY

- Stop valve (according to code)
- Wall mounting accessory kit
- Discharge pipe (according to code)
- Connection gaskets

ON DEMAND




- Pneumatic lifting device cod. 400021 (standard for code 334030)
- Pneumatic controls

PACKAGING

CODE	PCS	LxWxH	WEIGHT
SUPER KARIBA MONO	1	450x136x417 mm	2.9 kg

PACKAGING



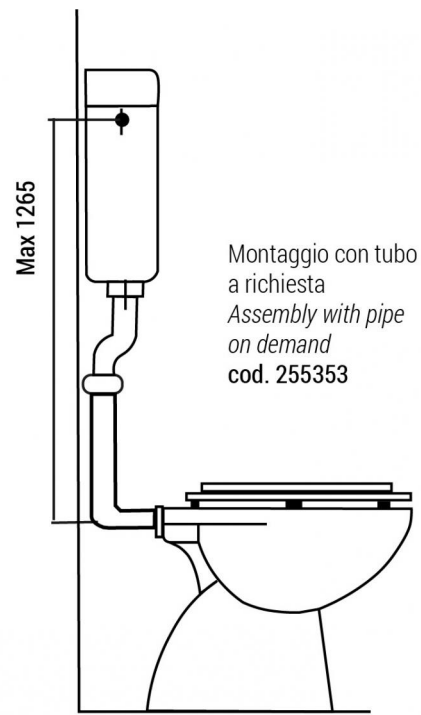
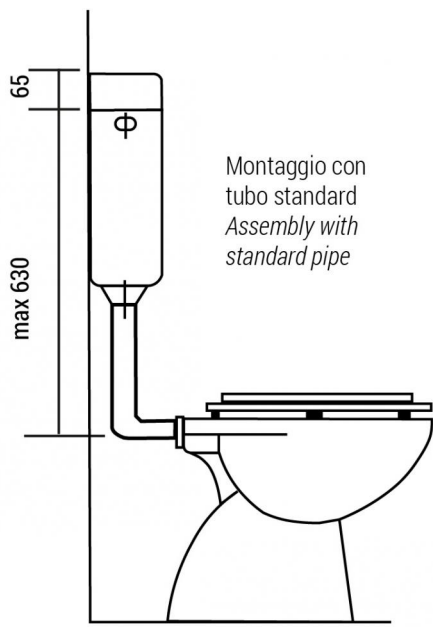
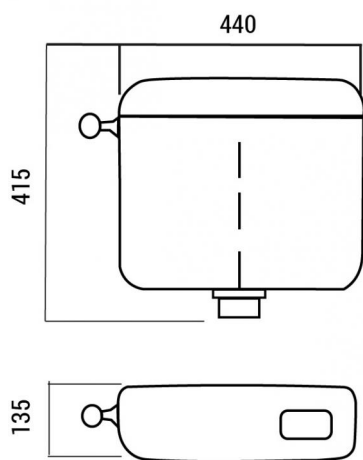
packaging		pcs	L-P-H
	single	1	450x136x417
	multiple	5	710x460x440
	pallet	100	122x122X2320

MODELS:

CODE	DESCRIPTION
334008	SUPER PIPE Ø 40 mm
334009	SUPER PIPE Ø 40 mm WITHOUT STOP-VALVE
334011	SUPER WITHOUT PIPE
334030	SUPER PNEU PIPE Ø 40 mm WITHOUT REMOTE BUTTON
334043	LOW RIGHT PIPE CONNECTION Ø40 MM FOR SUPER CISTERN
334054	LOW LEFT PIPE CONNECTION Ø40 MM FOR SUPER CISTERN

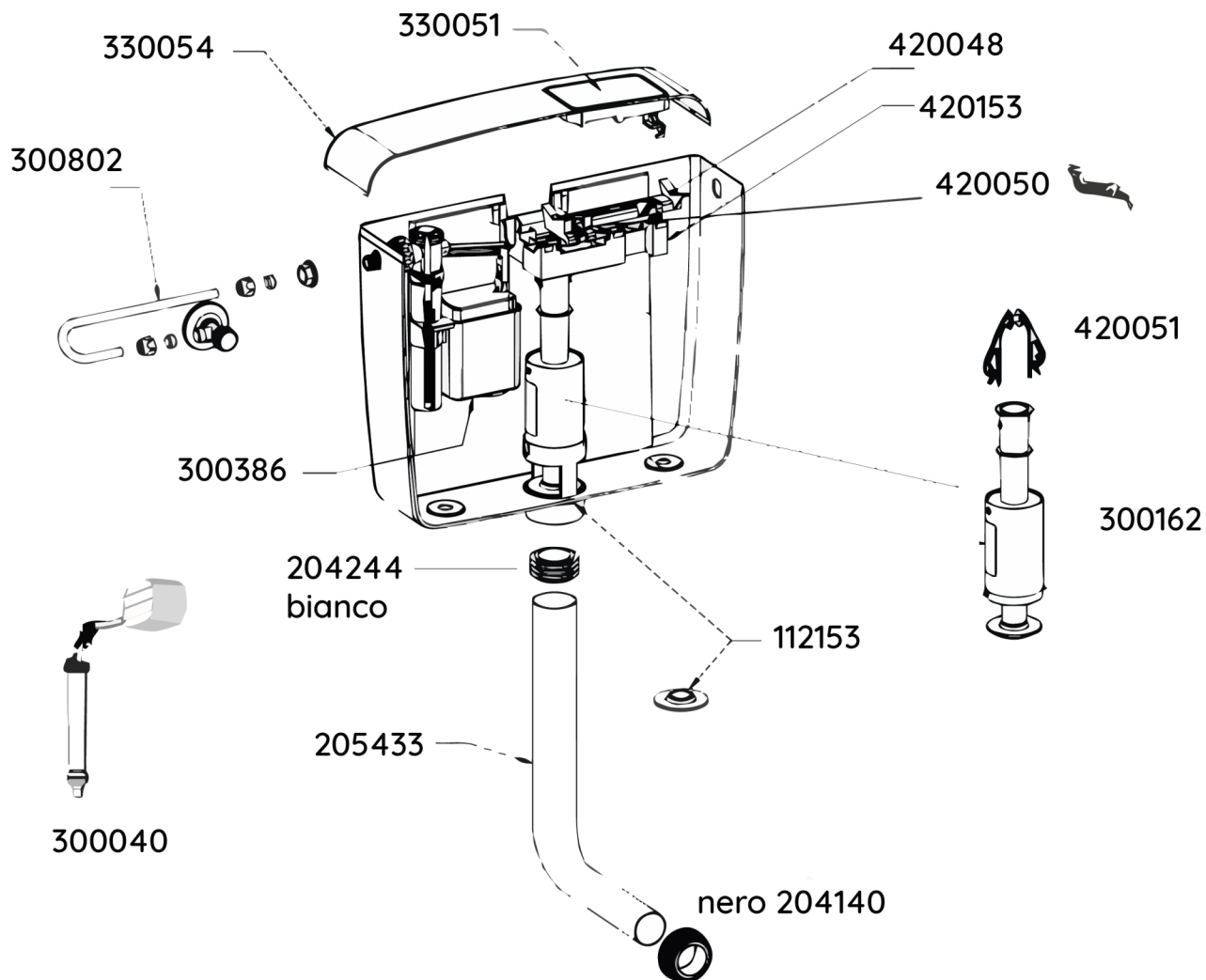
S

DIMENSIONS



S

SPARE PARTS



S

LIST

CODE	DESCRIPTION
420153	Lever group with anchor
420051	Anchor
300802	Stop-valve
330054	Lid with flush button
330051	Flush button
300386	Norma float-valve 3/8"
300040	Silent float-valve 3/8" with low connection (included in prepared models)
300162	Discharge valve
112153	Silicon gasket for discharge valve

CODE	DESCRIPTION
300842	Cistern fixing accessories kit and connection gaskets Ø40
205433	Pipe 50x40x320mm
204244	White clamp gasket for pipe coupling
204140	Black clamp gasket ø 40 mm for WC coupling
420048	Discharge lever
420050	Slingbar lever

ACCESSORIES ON DEMAND

CODE	DESCRIPTION
400021	Pneumatic lifting device (standard for code 334030)
215313	Pipe 50x32x1000mm
215363	Pipe 50x32x600mm
255353	Dismountable pipe 50x32x950mm
400101	Flush-mounted white pneu button
400103	Wall-mounted white pneu button
300843	Cistern fixing accessories kit and connection gaskets Ø32
205333	Pipe 50x32x320mm
204132	Black clamp gasket ø 32 mm for WC coupling
300336	NORMA-PLUS float valve, acoustic cl.1, LGA-TUV approved